

ENSTO

Ensto Voltage Controller

Answer for today's
power quality problems



Better life.
With electricity.

Ensto Voltage Controller is a single-phase solution which measures and adjusts the existing line voltage continuously.

ensto.com



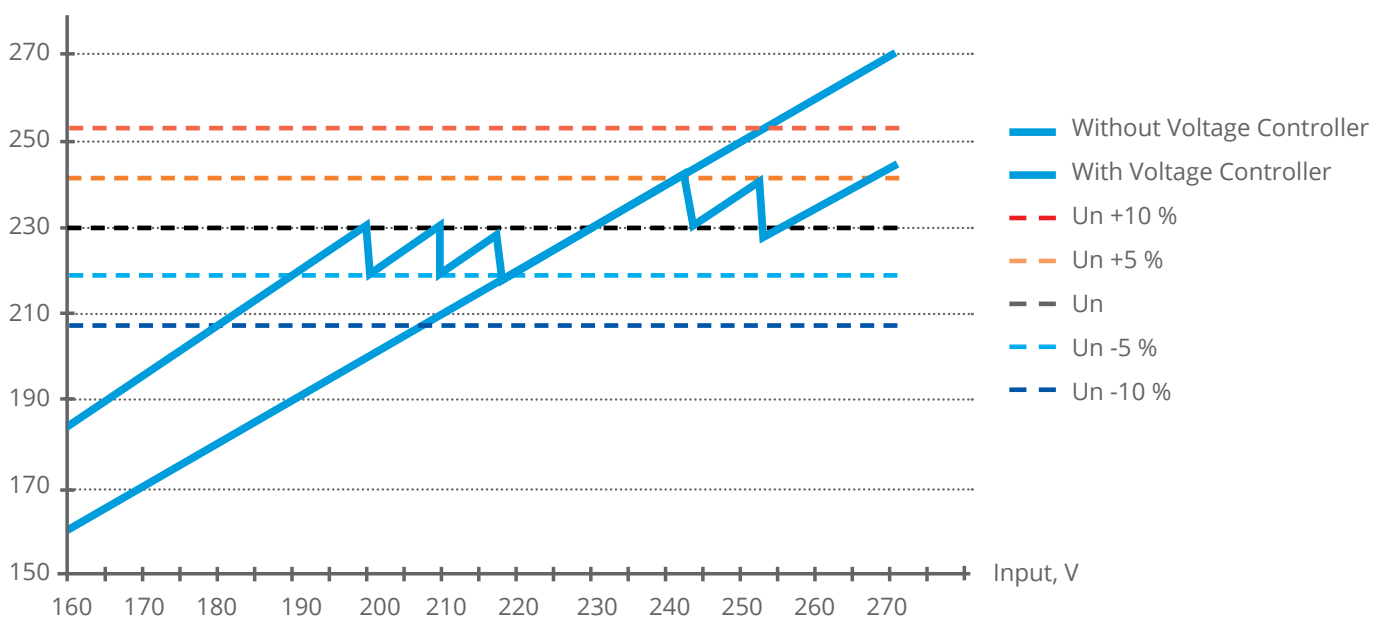
Voltage Controller for low voltage distribution grids

Product Description

VC6K-1P-000 is a single-phase voltage controller for low voltage distribution grids. It is installed close to consumer interface, where it measures the feeding line voltage and stepwise adjusts the output voltage. The unit is able to increase and decrease the line voltage level. The output control range is -10% - +15% and the voltage increase/decrease function is selected automatically based on the locally measured voltage. The boosting function is active, while the input voltage is in the range of 160-260V.

The boosting function is active, while the input voltage is in the range of 160-260V.

Output, V





Product benefits

FAST

- › Quick to install
 - › no special skills needed
- › Quick to take in use
 - › no setting or calibration

PROTECTION

- › Voltage Controller is protected by a miniature circuit breaker.
- › The temperature of electronics and autotransformers is monitored.
- › In case of overheat the protective bypass mode is activated.
- › Unit has IP44 protection level, hot air is exhausted through the ventilation.

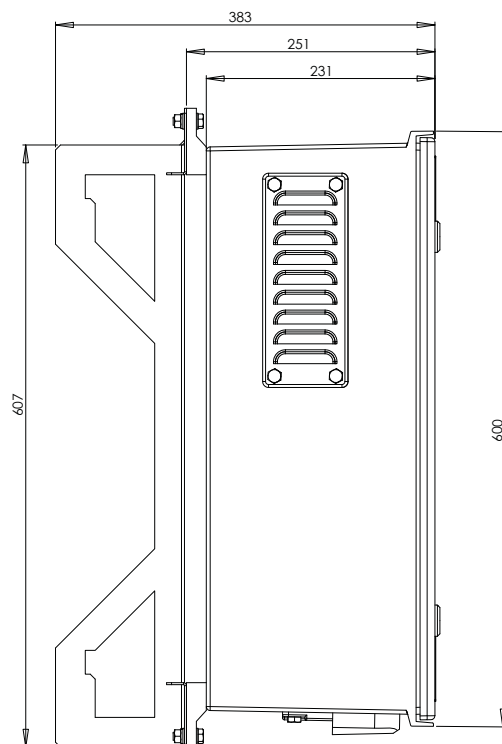
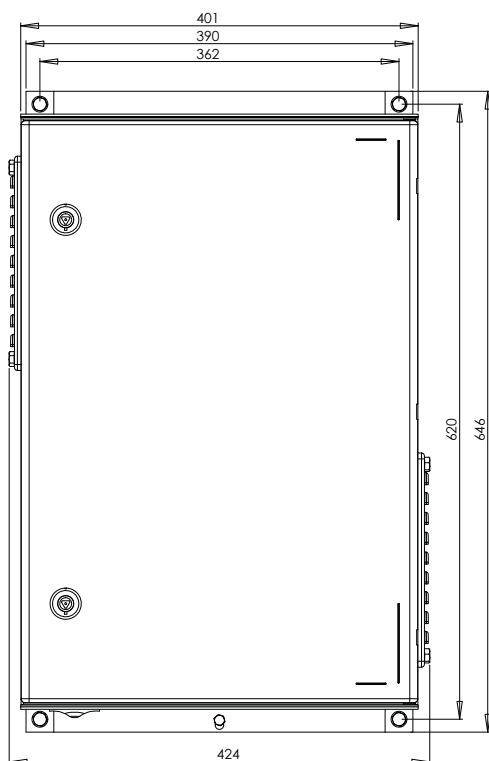
COMPACT

- › Small size: W= 400 mm, H= 600 mm and D= 350 mm
- › Light-weight, less than 35 kg
- › High efficiency
- › Double-isolated - no need for grounding

SAFE

- › Air-cooled, no need for oil
- › Ecological materials
- › Fully recyclable
- › Simple connections with Ensto Clampo Pro terminals
- › Cross-section 10-50 mm²

Product information



Feature	VC6K-1P-000
Nominal power (kVA)	6
Nominal current (A)	25
Max input current (A)	28
Network	1-phasig
Reaction time (ms)	300
No-load loss	< 5 W
Efficiency (%)	> 98,5 %
Weight (kg)	35
Size W x H x D (mm)	400 x 600 x 350
Boosting levels	+5 % → +10 % → +15 % -5 % → -10 %
Casing	UV-resistant composite, RAL7035



Recommended accessories

Band and buckle for band hooks		
COT36	6418677412189	for band COT37
COT37	6418677412196	19 mm x 0.75 mm x 25 m, AISI201

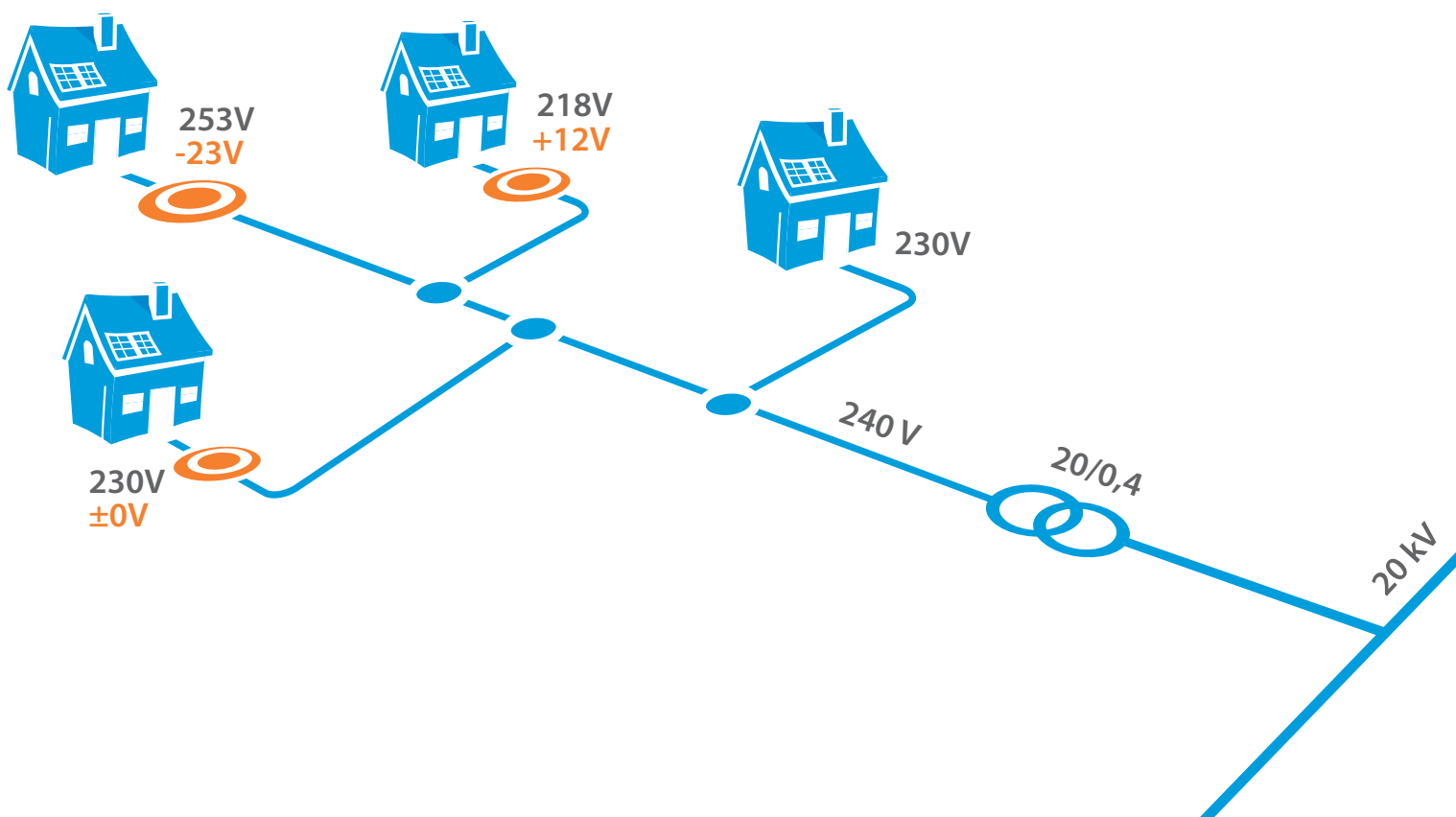
Special tools		
CT42	6418677412332	Used for steel band COT37

Surge arrester		
SE46.328-10	6418677432774	Al 10-95 mm ² or Cu 1.5-70 mm ² surge arrester SGA328-10
SE45.328-10	6418677432767	10-150 mm ² , 280 V / 10 kA, SGA328-10



ENSTO VOLTAGE CONTROLLER

- › Location close to the problem area.
- › Fixes the problem by bringing the level back to 231 V.





ENSTO

Ensto Finland Oy
Ensio Miettisen katu 2, P.O. Box 77
FIN-06101 Porvoo, Finland
utility.networks@ensto.com

ensto.com

