

# ENSTO

## IT PDU

PULTI Solution for  
computer rack equipment



**Better life.**  
With electricity.





**ELECTRICAL INSTALLATION SYSTEM**

**PULTI the 19" housing reference in Europe**

Information and communication technologies (IT) bring together the techniques used in the processing and transmission of information. This constantly evolving industry requires a reliable and adaptable equipment.

Since 1964, the PULTI range has been manufactured in France and offers high-performance solutions for the equipment of computer racks and the layout of data centres.

These Power Distribution Units (PDUs) are standard or custom enclosures for powering, controlling, monitoring, managing and controlling your computer hardware.

- Power supply with a wide choice of outlet standards:  
French, Schuko, IEC, English, American, Italian, Swiss
- Monitoring
- Control and monitoring by sensors: temperature, humidity, etc ...
- Remote switching of enclosures and outlets.



Multi standard international.....	2
Available PULTI configurations and options.....	3
<b>PULTI CLASSIC.....</b>	<b>4</b>
Sockets and direct feeding - normal network.....	6
Sockets with plug and bipolar illuminated switch - normal network.....	7
Sockets for direct feeding and bipolar illuminated switch - UPS network.....	8
Sockets and 10A or 16A 30mA RCBO - normal network.....	9
Sockets and 10A or 16A thermomagnetic circuit-breaker - normal network.....	10
Sockets and energy meter - normal network.....	11
Sockets and surge protector - normal network.....	12
Sockets and EMI filter 16A - normal network.....	13
Sockets and surge protector + filter - normal network.....	14
Accessories.....	15
<b>PULTI RACK.....</b>	<b>16</b>
Sockets and direct feeding - normal network.....	18
Sockets with plug and bipolar illuminated switch - normal network.....	19
Sockets for direct feeding and bipolar illuminated switch - UPS network.....	20
Sockets and 10A or 16A 30mA RCBO - normal network.....	21
Sockets and 10A or 16A thermomagnetic circuit-breaker - normal network.....	22
Sockets and energy meter - normal network.....	23
Accessories.....	24
<b>PULTI POWER DISTRIBUTION UNIT :</b>	
<b>Adapted energy distribution units.....</b>	<b>25</b>
PDU without protection.....	28
PDU with protections.....	31
PDU auto switch charge transfer function.....	33



# Multi Standard International

## French socket outlets

16 A / 250 V

Countries concerned:  
France, Belgium, Poland,  
Cameroon, Congo, Ivory  
Coast, Algeria, Gabon,  
Lebanon, Madagascar,  
Morocco, Dem. Central  
Africa, Senegal, Syria,  
Chad, Tunisia, Zaire.



**French socket outlet**  
PULTI CLASSIC and RACK



**French socket outlet for UPS**  
PULTI CLASSIC and RACK

## Swiss socket outlet

10 A / 250 V

Country concerned:  
Switzerland



**Swiss socket outlet**  
PULTI CLASSIC

## Schuko socket outlets

16 A / 250 V

Countries concerned:  
Germany, Austria, Spain,  
Finland, Hungary, Iceland,  
Indonesia, Luxembourg,  
Netherlands, Portugal,  
Norway, Sweden, Turkey.



**Schuko socket outlet**  
PULTI CLASSIC et RACK



**Schuko socket outlet for UPS**  
PULTI CLASSIC et RACK

## English socket outlet

13 A / 250 V

Countries concerned:  
Great Britain,  
South Africa,  
Hong Kong, India,  
Iraq, Ireland,  
Kuwait, Pakistan,  
Singapore, U.A.E.



**English socket outlet**  
PULTI CLASSIC and RACK

## Socle italien

Italian socket outlet  
16A/250V Country  
concerned : Italy.



**Italian socket outlet**  
PULTI CLASSIC

## American socket outlet

15 A / 125 V

Countries concerned:  
USA, Canada,  
Japan, Korea,  
Philippines,  
Taiwan, Thailand,  
Cambodia

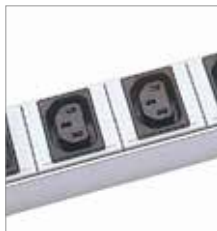


**American socket outlet**

PULTI CLASSIC and RACK

## IEC 320 Connectors

For all countries



**IEC 320 C13 10A**  
PULTI CLASSIC et RACK



**IEC 320 C19 16A**  
PULTI CLASSIC et RACK



**IEC 320 C13 10A with lock**  
PULTI RACK



**IEC 320 C19 16A with lock**  
PULTI RACK



Please contact us for  
product  
customization





# AVAILABLE PULTI CONFIGURATIONS & OPTIONS

## Available configurations and options

The products in this catalogue are just examples of the many configurations we offer. Do not hesitate to contact us, we will gladly adapt the products to your needs.



## IEC 320-C13 and IEC 320-C19 connectors with locking system

### USE :

To ensure the correct operation of an installation against any risk of accidental disconnection of devices, connect them to a power strip equipped with connectors IEC 320-C13 or IEC 320-C19 with a tamper-proof locking system. You will then avoid inadvertently disconnecting the device connected to it and eliminate any risk of unfortunate incidents that can have significant and damaging consequences.



IEC 320-C19



IEC 320-C13



Insert any type of IEC 320-C14 plug into the identified IEC 320-C13 connector



... the plug is thus locked and protected against extraction

### ADVANTAGES :

- Avoids accidental disconnection of connected equipment
- Eliminates possible risks of power failure of the device
- Connectors with a strong, effective tamper-proof locking system
- Compatible with all models of IEC 320-C14 and IEC 320C20
- Fast unlocking by simply pressing the red push button
- Robust mechanical support and very high resistance to tearing

### DESCRIPTION:

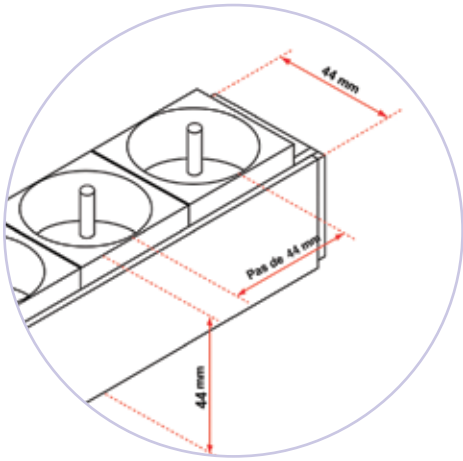
- Connector IEC 320-C13, black, 2 poles + earth 10 A - 250 V
- Connector IEC 320-C19, black, 2-poles + earth 16 A - 250 V
- «Harpoon» locking system
- Spring loaded push button for unlocking
- CE certified, ENEC KEMAKEUR, UL
- Fireproof plastic components, without halogen gas release, insensitive to ultraviolet rays
- Incandescent resistance of 750 ° C



To unlock, simply press the button and extract the plug



# PULTI CLASSIC



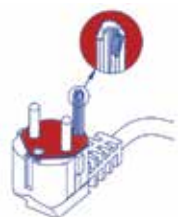
## SEVERAL MOUNTING BRACKETS AVAILABLE



- PULTI designed according to the 19" standard
- Pitch 44 mm in accordance with 1 U, IEC 297-3
- Very small footprint



Robust body made of natural or black anodized aluminium rail





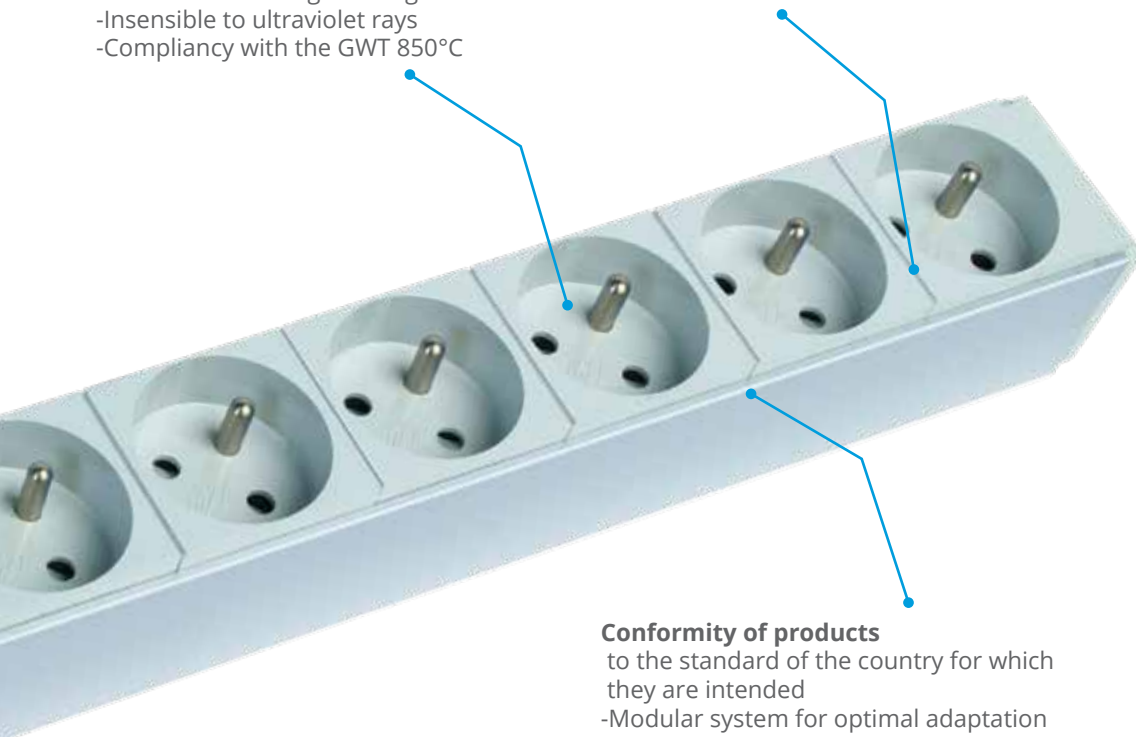
- Wide choice of socket outlets (FR, DE, UK, US, IEC, etc ...)
- Aluminium profile available in great length
- Cables up to 2.5 mm<sup>2</sup> in 16 A and 6mm<sup>2</sup> in 32 A
- Housing wiring by 4 mm<sup>2</sup> busbar
- 45 ° socket outlet orientation (French & Schuko outlets)
- Special manufacture on request

Use of high quality plastic material:

- Fireproof
- No release of halogenated gases
- Insensible to ultraviolet rays
- Compliance with the GWT 850°C

-Internal connection of socket outlets by double contact bar:

- Large contact area between pin and cell
- Large mechanical strength
- Interconnection of socket outlets without resistive discontinuity (bus bar)



**MANY OPTIONS AVAILABLE**



**Conformity of products**

- to the standard of the country for which they are intended
- Modular system for optimal adaptation of configurations
- Mixing strong currents and weak currents with associated protections
- Large number of fixings and accessories



**System for UPS :**

- Genuine lock supporting only the PULTI key
- Opening impossible with a straight tool
- Key complex with helical track
- The mechanism cannot be dismantled

**Increased security :**

- Adhesive fixed key
- A red circle on the sockets makes it possible to immediately identify the secondary network



# PULTI CLASSIC with sockets for direct feeding normal network

## PULTI without control and without protection



Direct feeding French sockets



Direct feeding Schuko sockets



Direct feeding IEC 320-C13



Designation / Number of socket outlets	Dimensions (mm)	References with French sockets	References with IEC 320-C13	References with Schuko sockets
Direct feeding <b>8 socket outlets</b>	L 440 x l 44 x h 44	P600205-PE	P609750-PE	P600384-PE
Direct feeding <b>9 socket outlets</b>	L 440 x l 44 x h 44	P600198-PE	P601766-PE	P600073-PE
Direct feeding <b>9 socket outlets with indicator light</b>	L 440 x l 44 x h 44	P600200-PE	P605747-PE	P609570-PE
<b>Housing equipped with a 44 mm shutter between each socket</b>				
Direct feeding <b>13 socket outlets</b>	L 1232 x l 44 x h 44	P600242	P606849	P611195
Alimentation directe <b>19 socket outlets</b>	L 1760 x l 44 x h 44	P600244	P606850	P605476

### Characteristics :

- Anodized aluminium body, natural colour, width 44 mm (1 U)
- Power feeding by a 2 m grey cord HO5VVF 3 G 1.5 mm<sup>2</sup> equipped with a 16A - 250 V grey Franco-German over-moulded plug (FR or Schuko version); grey cord HO5VVF 3G1mm<sup>2</sup> with moulded connector C14 (version IEC 320-C13)
- The mounting tabs for horizontal mounting in the computer rack are only supplied with references in the format 440 m 1 U - 19"
- French socket outlets with cell shutters or Schuko 16 A - 250 V without cell shutters or IEC 320-C13 black 2 poles + earth
- **Special configurations on request**



# PULTI CLASSIC with sockets and bipolar illuminated switch normal network

## Control and indication of voltage presence

Position 0 (Off) - I (On)

Amber Light



Bipolar illuminated switch with French socket outlets



Bipolar illuminated switch with Schuko socket outlets



Bipolar illuminated switch with IEC 320-C13



Designation / Number of socket outlets	Dimensions (mm)	References with French sockets	References with IEC 320-C13	References with Schuko sockets
<b>19"</b> Bipolar illuminated switch 8 socket outlets	L 440 x l 44 x h 44	P600214-PE	P601467-PE	P600083-PE
Housing equipped with a 44 mm shutter between each socket				
Bipolar illuminated switch 13 socket outlets	L 1232 x l 44 x h 44	P600243	P602647	P600484
Bipolar illuminated switch 19 socket outlets	L 1760 x l 44 x h 44	P600245	P602651	P600438-1

## Characteristics :

- Anodized aluminium body, natural colour, width 44 mm (1 U)
- Power feeding by a 2 m grey cord HO5VVF 3 G 1.5 mm<sup>2</sup> equipped with a 16A - 250 V grey Franco-German over-moulded plug (FR or Schuko version); grey cord HO5VVF 3G1mm<sup>2</sup> with moulded connector C14 (version IEC 320-C13)
- The mounting tabs for horizontal mounting in the computer rack are only supplied with references in the format 440 m 1 U - 19 "
- French socket outlets with cell shutters or Schuko 16 A - 250 V without cell shutters or IEC 320-C13 black 2 poles + earth
- **Special configurations on request**



# PULTI CLASSIC with sockets for direct feeding and bipolar light switch, UPS network

## PULTI with or without bipolar light switch



Direct feeding with French socket outlets



Direct feeding with red French socket outlets



Bipolar illuminated switch with French socket outlets



Bipolar illuminated switch with red French socket outlets



Designation / Number of socket outlets	Dimensions (mm)	References with French sockets	References with a natural coloured housing and red French socket outlets
Direct feeding 9 socket outlets	L 440 x l 44 x h 44	P600350-PE	P609127-PE
Bipolar illuminated switch 8 socket outlets	L 440 x l 44 x h 44	P600539-PE	P612052-PE

19"

### Characteristics :

- Anodized aluminium body, natural colour, width 44 mm (1 U)
- Power feeding by a 2 m grey cord HO5VVF 3 G 1.5 mm<sup>2</sup> equipped with a 16A - 250 V grey Franco-German over-moulded plug
- The mounting tabs for horizontal mounting in the computer rack are only supplied with references in the format 440 m 1 U - 19"
- French socket outlets with cell shutters.
- Adhesive keys provided
- Special configurations on request



\*Adhesive keys



# PULTI CLASSIC with sockets and 10 A or 16 A-30 mA RCBO normal network

## Protection against overloads, short circuits and current imbalances

Single pole RCBO 10 A -30 mA  
or 16 A - 30 mA Type AC Curve «C», breaking capacity  
of 4500 A according to NF EN 60898 and 6000 A according to IEC 947-2



RCBO 16 A - 30 mA French socket outlets



RCBO 16 A - 30 mA Schuko socket outlets



RCBO 10 A - 30 mA IEC 320-C13



Designation / Number of socket outlets	Dimensions (mm)	References with French sockets	References with IEC 320-C13	References with Schuko sockets
<b>19"</b> RCBO 6 socket outlets	L 440 x l 44 x h 44	P600185-PE	P602106-PE	P602644-PE
Housing equipped with a 44 mm shutter between each socket				
RCBO 12 socket outlets	L 1232 x l 44 x h 44	P600553	P606892	P606813

## Characteristics :

- Anodized aluminium body, natural colour, width 44 mm (1 U)
- Power feeding by a 2 m grey cord HO5VVF 3 G 1.5 mm<sup>2</sup> equipped with a 16A - 250 V Franco-German grey over-moulded plug (FR or Schuko version); grey cord HO5VVF 3G1mm<sup>2</sup> with moulded connector C14 (version IEC 320-C13)
- The mounting tabs for horizontal mounting in the computer rack are only supplied with references in the format 440 m 1 U - 19 "
- French socket outlets with cell shutters or Schuko 16 A - 250 V without cell shutters or IEC 320-C13 black 2 poles + earth
- **Special configurations on request**



# PULTI CLASSIC with sockets and 10 A or 16 A thermomagnetic circuit breaker, normal network

## Overload and short circuit protection

10A or 16A bipolar magneto-thermic circuit breaker «C» curve, breaking capacity of 6kA according to NF EN 60898 and 20kA according to NF EN 60947-2



Thermomagnetic circuit breaker 16A with French socket outlets



Thermomagnetic circuit breaker 16A with Schuko socket outlets



Thermomagnetic circuit breaker 10A with IEC 320-C13



Designation / Number of socket outlets	Dimensions (mm)	References with French sockets	References with IEC 320-C13	References with Schuko sockets
Thermomagnetic circuit breakers 16A <b>6 socket outlets</b>	L 440 x l 44 x h 44	P600191-PE	P602105-PE	P600053-PE
Housing equipped with a 44 mm shutter between each socket				
Thermomagnetic circuit breakers 16A <b>12 socket outlets</b>	L 1232 x l 44 x h 44	P600240	P606882	P600935

## Characteristics :

- Anodized aluminium body, natural colour, width 44 mm (1 U)
- Power feeding by a 2 m grey cord HO5VVF 3 G 1.5 mm<sup>2</sup> equipped with a 16A - 250 V grey Franco-German over-moulded plug (FR or Schuko version); grey cord HO5VVF 3G1mm<sup>2</sup> with moulded connector C14 (version IEC 320-C13)
- The mounting tabs for horizontal mounting in the computer rack are only supplied with references in the format 440 m 1 U - 19 "
- French socket outlets with cell shutters or Schuko 16 A - 250 V without cell shutters or IEC 320-C13 black 2 poles + earth
- **Special configurations on request**





# PULTI CLASSIC with sockets and energy meter normal network



## Measurement of the energy consumed

- Voltage (1 single phase of measurement in 230V AC 50Hz)
- Maximum intensity 32A
- Active power in KW
- Energy in KWh
- Frequency in Hz
- Phase shift in degrees
- Reset button
- LCD screen display
- The energy meter turned off, the energy value will remain stored



With energy meter and French socket outlets



With energy meter and IEC 320-C13



With energy meter and Schuko socket outlets



Designation / Number of socket outlets	Dimensions (mm)	References with French sockets	References with IEC 320-C13	References with Schuko sockets
Energy meter 5 socket outlets	L 352 x l 44 x h 44	P611386	P611387	P611388
Energy meter 7 socket outlets	L 440 x l 44 x h 44	P610577-PE	P611564-PE	P611182-PE
Energy meter 19 socket outlets	L 968 x l 44 x h 44	P611431	P611429	P611430

19"

## Characteristics :

- Anodized aluminium body, natural colour, width 44 mm (1 U)
- Power feeding by a 2 m grey cord HO5VVF 3 G 1.5 mm<sup>2</sup> equipped with a 16A - 250 V grey Franco-German over-moulded plug (FR or Schuko version); grey cord HO5VVF 3G1mm<sup>2</sup> with moulded connector C14 (version IEC 320-C13)
- The mounting tabs for horizontal mounting in the computer rack are only supplied with references in the format 440 m 1 U - 19 "
- French socket outlets with cell shutters or Schuko 16 A - 250 V without cell shutters or IEC 320-C13 black 2 poles + earth
- **Special configurations on request**



# PULTI CLASSIC with sockets and surge protector normal network

## Protection against overvoltage

Voltage presence indicator

Single phase network: 230Vac

Maximum voltage: 255V

Protection level Up: 1.5kV

Maxi-I<sub>max</sub> discharge current (1 shock wave 8 / 20µs): 5kA

Nominal discharge current-I<sub>n</sub> (15 shocks wave 8 / 20µs): 2.5kA

The buzzer indicates the shutdown of the surge protector.



Surge protector + French socket outlets



Surge protector + Schuko socket outlets



Designation / Number of socket outlets	Dimensions (mm)	References with French sockets	References with Schuko sockets
Surge protector <b>7 socket outlets</b>	L 440 x l 44 x h 44	P605602-PE	P607675-PE
Housing equipped with a 44 mm shutter between each socket			
Surge protector <b>12 socket outlets</b>	L 1232 x l 44 x h 44	P607627	P607682

## Characteristics :

- Anodized aluminium body, natural colour, width 44 mm (1 U)
- Power feeding by a 2 m grey cord HO5VVF 3 G 1.5 mm<sup>2</sup> equipped with a 16A - 250 V grey Franco-German over-moulded plug (FR or Schuko version)
- The mounting tabs for horizontal mounting in the computer rack are only supplied with references in the format 440 m 1 U - 19 "
- French socket outlets with cell shutters or Schuko 16 A - 250 V without cell shutters
- **Special configurations on request**



# PULTI CLASSIC with sockets and EMI filter 16A normal network

## Interference protection from 0.1 to 30 MHz

Average attenuation of the EMI filter according to CISPR 17 (50/50 ohms):

Symmetrical mode:				Asymmetrical mode:			
F(MHz) 0.1	1	10	30	F(MHz) 0.1	1	10	30
A(dB) 0	10	45	55	A(dB) 10	35	45	60



EMI filter + French socket outlets



EMI filter + Schuko socket outlets



Designation / Number of socket outlets	Dimensions (mm)	References with French sockets	References with Schuko sockets
EMI filter 16A <b>7 socket outlets</b>	L 440 x l 44 x h 44	P600563-PE	P601328-PE
Housing equipped with a 44 mm shutter between each socket			
EMI filter 16A <b>12 socket outlets</b>	L 1232 x l 44 x h 44	P606760	P606834

19"

## Characteristics:

- Anodized aluminium body, natural colour, width 44 mm (1 U)
- Power feeding by a 2 m grey cord HO5VVF 3 G 1.5 mm<sup>2</sup> equipped with a 16A - 250 V grey Franco-German over-moulded plug
- The mounting tabs for horizontal mounting in the computer rack are only supplied with references in the format 440 m 1 U - 19"
- French socket outlets with cell shutters or Schuko 16 A - 250 V without cell shutters
- **Special configurations on request**



# PULTI CLASSIC with sockets and surge protector + filter normal network

## Overvoltage and interference protection from 0.1 to 30MHz

Voltage presence indicator

Single phase network: 230Vac

Maximum voltage: 255V

Protection level Up: 1.5kV

Maxi-I<sub>max</sub> discharge current (1 shock wave 8 / 20µs): 5kA

Nominal discharge current-I<sub>n</sub> (15 shocks wave 8 / 20µs): 2.5kA

The buzzer indicates the shutdown of the surge protector.

Average attenuation of the EMI filter according to CISPR 17 (50/50 ohms):

Symmetrical mode:

Asymmetrical mode:

F(MHz) 0.1

1

10

30

F(MHz) 0.1

1

10

30

A(dB) 0

10

45

55

A(dB) 10

35

45

60



Surge protector + filter & French socket outlets



Surge protector + filter & Schuko socket outlets



Designation / Number of socket outlets	Dimensions (mm)	References with French sockets	References with Schuko sockets
Surge protector + filter <b>6 socket outlets</b>	L 440 x l 44 x h 44	P605605-PE	P607686-PE
Housing equipped with a 44 mm shutter between each socket			
Surge protector + filter <b>12 socket outlets</b>	L 1232 x l 44 x h 44	P607636	P607693

## Characteristics :

- Anodized aluminium body, natural colour, width 44 mm (1 U)
- Power feeding by a 2 m grey cord HO5VVF 3 G 1.5 mm<sup>2</sup> equipped with a 16A - 250 V grey Franco-German over-moulded plug (FR or Schuko version)
- The mounting tabs for horizontal mounting in the computer rack are only supplied with references in the format 440 m 1 U - 19"
- French socket outlets with cell shutters or Schuko 16 A - 250 V without cell shutters
- **Special configurations on request**



# PULTI CLASSIC accessories

**Mounting brackets** made of galvanized steel, for a suitable installation

Reference	Description	Material
P127003	2 sliding brackets for wall or chassis mounting	Galvanized steel
P127000	2 mounting brackets for flat mounting	Galvanized steel
P127005	2 mounting brackets for horizontal mounting in computer rack	Galvanized steel
P127035	2 mounting brackets for flat mounting (4 holes)	Galvanized steel



## Adhesive magnetic pad

For practical fastening on metal surfaces  
1 magnetic side, 1 side with adhesive tape

Reference	Description	Dimensions (mm)
BG140039	Adhesive magnetic pad	L 100 x l 35
BG140040	Adhesive magnetic pad	L 160 x l 35
BG140041	Adhesive magnetic pad	L 250 x l 35
BG140042	Adhesive magnetic pad	L 320 x l 35



## Velcro adhesive tape

For an efficient use on all types of media.  
Sold by the metre

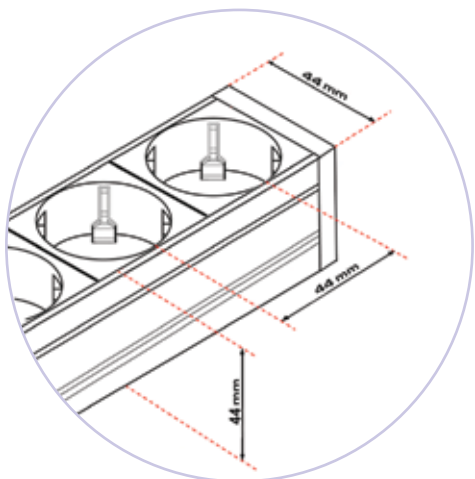
Reference	Description	
P140013	Adhesive velcro tape of 1m	Linear meters



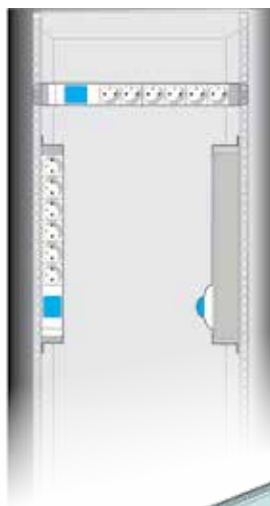
# PULTI RACK

PULTI RACK differs from PULTI CLASSIC in its look and in its multi-positioning fastening system.

This range is dedicated to 19" or shorter products.

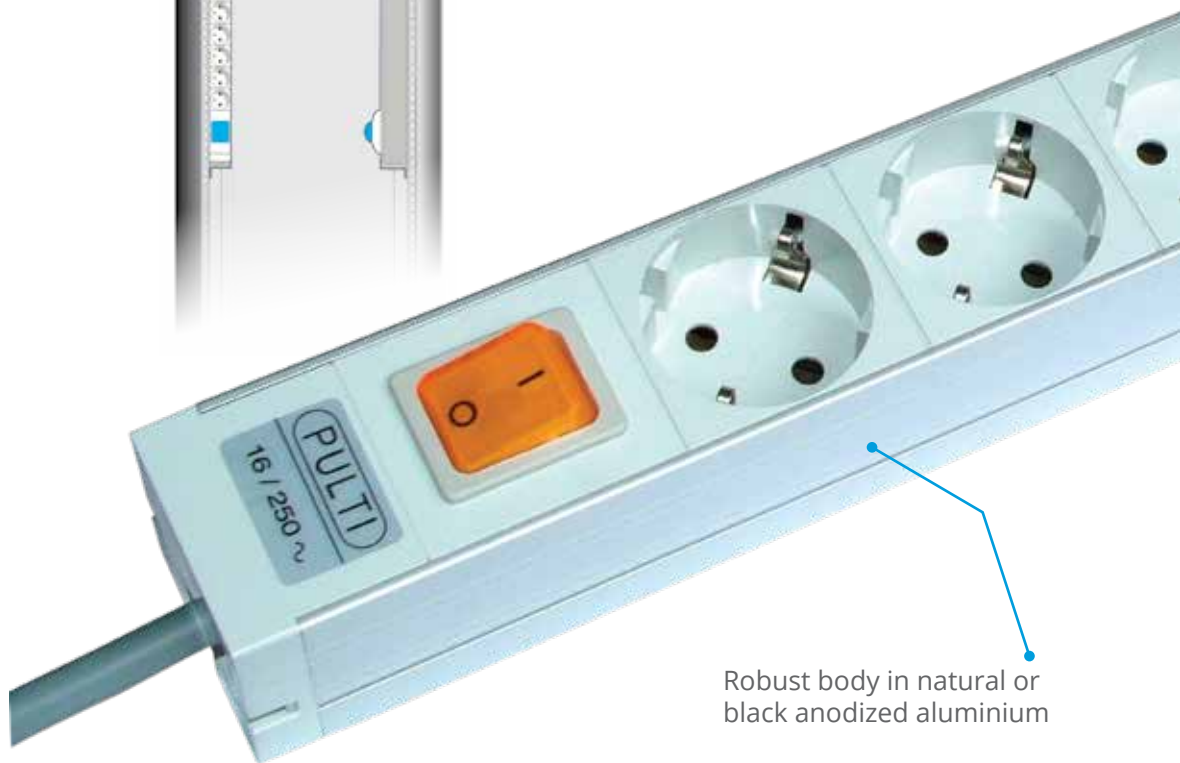


## MULTI-POSITION FASTENING SYSTEM

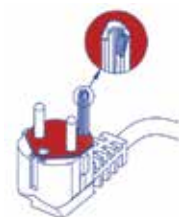


The mounting brackets are directly integrated in the end cap:

- Mounting brackets adjustable in any position and compatible with all types of installation
- Extremity allowing the flap of the cord to facilitate installation in 19"



Robust body in natural or black anodized aluminium

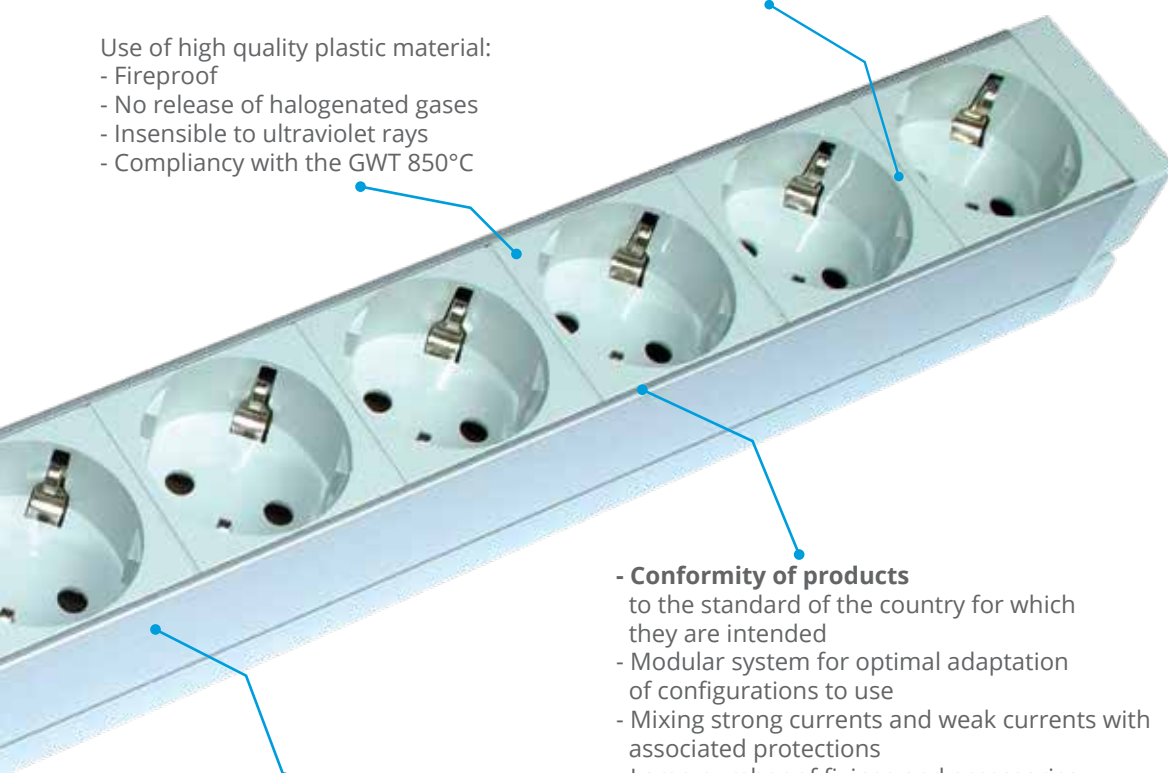




- Natural anodized aluminium profile, or black anodized for audio / video application, data centre, etc.
- Flush outlets for perfect finishing
- Multi-position mounting brackets included
- IEC 320 connectors (C13 and C19) available with locking system
- Wiring of housing by 4 mm<sup>2</sup> busbar
- 45 ° socket outlet orientation (French & Schuko outlets)
- Special manufacture on request

- Internal connection of socket outlets by double contact bar:
- Large contact area between pin and cell
- High mechanical strength
- Interconnection of socket outlets without resistive discontinuity
- Large number of fixings and accessories

- Use of high quality plastic material:
- Fireproof
  - No release of halogenated gases
  - Insensible to ultraviolet rays
  - Compliancy with the GWT 850°C



**MANY OPTIONS AVAILABLE**



- **Modern design**
- PULTI designed according to the standard 19"
- Pitch 44 mm in accordance with 1 U, IEC 297-3
- Very small footprint

- **Conformity of products** to the standard of the country for which they are intended
- Modular system for optimal adaptation of configurations to use
- Mixing strong currents and weak currents with associated protections
- Large number of fixings and accessories



**System for UPS :**

- Genuine lock supporting only the PULTI key
- Opening impossible with a straight tool
- Key complex with helical track
- The mechanism cannot be dismantled

**Increased security :**

- Adhesive fixed key
- A red circle on the socket outlets makes it possible to immediately identify the secondary network



# PULTI RACK with sockets for direct feeding normal network

## PULTI without control and without protection



Direct feeding French socket outlets



Direct feeding IEC 320-C13



Direct feeding Schuko socket outlets



Direct feeding IEC 320-C13



Designation / Number of socket outlets	Dimensions (mm)	References with French sockets	References with IEC 320-C13	References with Schuko sockets
Grey socket boxes - colourless anodized aluminium:				
19" Direct feeding 9 socket outlets	L 440 x l 44 x h 44	P620070	P620245	P620001



Black sockets boxes				
19" Direct feeding 9 socket outlets	L 440 x l 44 x h 44	P620353	P621125	P620327

### Characteristics :

- Anodized aluminium body, colour : natural or black, width 44 mm (1 U)
- Power feeding by a 2 m cord HO5VVF 3 G 1.5 mm<sup>2</sup> equipped with a 16A - 250 V Franco-German over moulded plug (FR or Schuko version); cord HO5VVF 3G1mm<sup>2</sup> with moulded connector C14 (version IEC 320-C13)
- Multi-position mounting brackets are provided systematically with each model
- French socket outlets with cell shutters or Schuko 16 A - 250 V without cell shutters or IEC 320-C13 black 2 poles + earth
- **Special configurations on request**
- **IEC 320 with lock available on request**



# PULTI RACK with sockets and bipolar illuminated switch normal network

## Control and indication of voltage presence

Position 0 (Off) - I (On) Amber Light



Bipolar illuminated switch with French socket outlets



Bipolar illuminated switch with IEC 320-C13



Bipolar illuminated switch with Schuko socket outlets



Bipolar illuminated switch with IEC 320-C13



Designation / Number of socket outlets	Dimensions (mm)	References with French sockets	References with IEC 320-C13	References with Schuko sockets
Grey socket boxes - colourless anodized aluminium:				
19" Bipolar illuminated switch 8 socket outlets	L 440 x l 44 x h 44	P620075	P620252	P620017



Black sockets boxes				
19" Bipolar illuminated switch 8 socket outlets	L 440 x l 44 x h 44	P621039	P621132	P620328

## Characteristics :

- Anodized aluminium body, colour: natural or black, width 44 mm (1 U)
- Power feeding by a 2 m cord HO5VVF 3 G 1.5 mm<sup>2</sup> equipped with a 16A - 250 V g Franco-German over-moulded plug (FR or Schuko version); cord HO5VVF 3G1mm<sup>2</sup> with moulded connector C14 (version IEC 320-C13)
- Multi-position mounting brackets are provided systematically with each model
- French socket outlets with cell shutters or Schuko 16 A - 250 V without cell shutters or IEC 320-C13 black 2 poles + earth
- **IEC 320 with lock available on request**
- **Special configurations on request**



# PULTI RACK with sockets for direct feeding and bipolar illuminated switch, UPS Network

## PULTI with or without bipolar illuminated switch



Direct feeding French socket outlets



Direct feeding with red French socket outlets



Bipolar illuminated switch with French socket outlets



Bipolar illuminated switch with red French socket outlets



Designation / Number of socket outlets	Dimensions (mm)	References with French sockets	References with a natural coloured housing and red French socket outlets
Direct feeding <b>9 socket outlets</b>	L 440 x l 44 x h 44	P620152	P622809
Bipolar illuminated switch <b>8 socket outlets</b>	L 440 x l 44 x h 44	P620153	P623726

19"

### Characteristics :

- Anodized aluminium body, colour: natural or black, width 44 mm (1 U)
- Power feeding by a 2 m cord HO5VVF 3 G 1.5 mm<sup>2</sup> equipped with a 16A - 250 V g Franco-German over-moulded plug (FR or Schuko version); cord HO5VVF 3G1mm<sup>2</sup> with moulded connector C14 (version IEC 320-C13)
- Multi-position mounting brackets are provided systematically with each model
- French socket outlets with cell shutters or Schuko 16 A - 250 V without cell shutters or IEC 320-C13 black 2 poles + earth
- IEC 320 with lock available on request
- **\*Adhesive keys provided**
- **Special configurations on request**



\*Adhesive keys



# PULTI RACK with sockets and 10 A or 16 A-30 mA RCBO normal network

## Protection against overloads, short circuits and current imbalances

Single pole RCBO 10 A -30 mA and 16 A - 30 mA Type AC Curve «C»,  
breaking capacity of 4500 A according to NF EN 60898 and 6000 A according to IEC 947-2



RCBO 16 A - 30 mA + French socket outlets



RCBO 10 A - 30 mA + IEC 320-C13



RCBO 16 A - 30 mA + Schuko socket outlets



RCBO 10 A - 30 mA + IEC 320-C13



Designation / Number of socket outlets	Dimensions (mm)	References with French sockets	References with IEC 320-C13	References with Schuko sockets
---	-----------------	-----------------------------------	--------------------------------	-----------------------------------

Grey socket boxes - colourless anodized aluminium :

<b>19"</b> RCBO 6 socket outlets	L 440 x l 44 x h 44	P620055	P621147	P620118
-------------------------------------	---------------------	---------	---------	---------



Black sockets boxes

<b>19"</b> RCBO 6 socket outlets	L 440 x l 44 x h 44	P621173	P621150	P621103
-------------------------------------	---------------------	---------	---------	---------

## Characteristics :

- Anodized aluminium body, colour: natural or black, width 44 mm (1 U)
- Power feeding by a 2 m cord HO5VVF 3 G 1.5 mm<sup>2</sup> equipped with a 16A - 250 V Franco-German over-moulded plug (FR or Schuko version); cord HO5VVF 3G1mm<sup>2</sup> with moulded connector C14 (version IEC 320-C13)
- Multi-position mounting brackets are provided systematically with each model
- French socket outlets with cell shutters or Schuko 16 A - 250 V without cell shutters or IEC 320-C13 black 2 poles + earth
- **IEC 320 with lock available on request**
- **Special configurations on request**





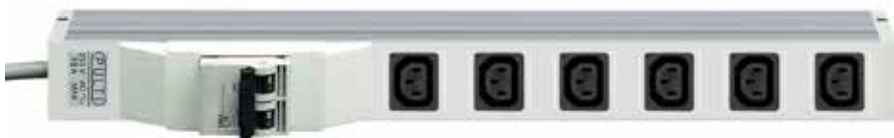
# PULTI RACK with sockets and 10A or 16A thermomagnetic circuit-breaker - normal network

## Overload and short circuit protection

10A and 16A bipolar magneto-thermic circuit breaker «C» curve, breaking capacity of 6kA according to NF EN 60898 and 20kA according to NF EN 60947-2



Thermomagnetic circuit breaker 16A + French socket outlets



Thermomagnetic circuit breaker 10A + IEC 320-C13



Thermomagnetic circuit breaker 16A + Schuko socket outlets



Thermomagnetic circuit breaker 10A + IEC 320-C13



Designation / Number of socket outlets	Dimensions (mm)	References with French sockets	References with IEC 320-C13	References with Schuko sockets
Grey socket boxes - colourless anodized aluminium:				
19" Thermomagnetic circuit breaker 6 socket outlets	L 440 x l 44 x h 44	P620056	P621141	P620087



Black sockets boxes				
19" Thermomagnetic circuit breaker 6 socket outlets	L 440 x l 44 x h 44	P621053	P621144	P620349

## Characteristics :

- Anodized aluminium body, colour: natural or black, width 44 mm (1 U)
- Power feeding by a 2 m cord HO5VVF 3 G 1.5 mm<sup>2</sup> equipped with a 16A - 250 V Franco-German over-moulded plug ; cord HO5 VVF 3G1mm<sup>2</sup> with a moulded C14 connector (version IEC 320 - C13)
- Multi-position mounting brackets are provided systematically with each model
- French socket outlets with cell shutters or Schuko 16 A - 250 V without cell shutters or IEC 320-C13 black 2 poles + earth
- **IEC 320 with lock available on request**
- **Special configurations on request**





# PULTI RACK with sockets and energy meter normal network



## Measurement of the energy consumed

- Voltage (1 single phase of measurement in 230V AC 50Hz)
- Maximum intensity 32A
- Active power in KW
- Energy in KWh
- Frequency in Hz
- Phase shift in degrees
- Reset button
- LCD screen display
- The energy meter turned off, the energy value will remain stored



With energy meter and French socket outlets



With energy meter and IEC 320-C13



With energy meter and Schuko socket outlets



Designation / Number of socket outlets	Dimensions (mm)	References with French sockets	References with IEC 320-C13	References with Schuko sockets
Grey socket boxes - colourless anodized aluminium:				
Energy meter 7 socket outlets	L 440 x l 44 x h 44	P620764	P623523	P623403

19"



Black sockets boxes				
Energy meter 7 socket outlets	L 440 x l 44 x h 44	P623521	P623524	P623522

19"

## Characteristics :

- Anodized aluminium body, colour: natural or black, width 44 mm (1 U)
- Power feeding by a 2 m cord HO5VVF 3 G 1.5 mm<sup>2</sup> equipped with a 16A - 250 V Franco-German over-moulded plug ; cord HO5 VVF 3G1mm<sup>2</sup> with a moulded C14 connector (version IEC 320 - C13)
- Multi-position mounting brackets are provided systematically with each model
- French socket outlets with cell shutters or Schuko 16 A - 250 V without cell shutters or IEC 320-C13 black 2 poles + earth
- **IEC 320 with lock available on request**
- **Special configurations on request**



# PULTI RACK accessories

**Fixation brackets** made of polycarbonate or white galvanized steel, for a practical and adjustable installation in 4 directions. As a reminder, PULTI RACK PDUs are always supplied with mounting brackets P127024-RAL7035.

Reference	CC	Description	Material
P127024	7035	2 mounting brackets for multi-position mounting	Grey ABS
P127031		2 mounting brackets for multi-position mounting	Black ABS
P127034		2 mounting brackets for vertical mounting	Galvanized steel
P127046		2 mounting brackets for front mounting	Stainless steel



P127024



P127031



P127034



P127046



# PULTI RACK accessories

## Adhesive magnetic pad

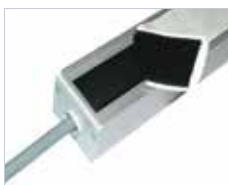
For practical fastening on metal surfaces  
1 magnetic side, 1 side with adhesive tape



Reference	Description	Dimensions (mm)
BG140039	Adhesive magnetic pad	L 100 x l 35
BG140040	Adhesive magnetic pad	L 160 x l 35
BG140041	Adhesive magnetic pad	L 250 x l 35
BG140042	Adhesive magnetic pad	L 320 x l 35

## Velcro adhesive tape

For an efficient use on all types of media.  
Sold by the metre.



Reference	Description	
P140013	Adhesive velcro tape of 1m	Linear metre



PULTI IP MONITORING



PULTI IP SWITCHER



PULTI IP ENVIRONMENTAL MONITORING



PULTI POWER DISTRIBUTION UNIT



# PULTI Power Distribution Unit

## Adapted energy distribution units

### Concept:

The PDUs allow a secure power supply of computer equipment in 1U 19" as well as 0U format

### Application:

- . High modularity and wide choice of sockets (IEC 320-C13, IEC 320-C19, French, Schuko socket outlets ...)
- . Adaptation of the protections (circuit breakers, surge arrester, EMI filter, energy meter ...)  
according to requirements
- . Configurable products according to the specific needs of the user customers: functions for information, protection and control of equipment

**Note: the products mentioned on the following pages are examples of our production possibilities. Please contact us for personalized products.**

### Product Information:

#### **ELECTRICAL QUALITY, FOR INCREASED RELIABILITY AND SAFETY**

Internal connection of socket outlets by double contact bar (French, Schuko and Swiss socket outlets):

- . Section of 4 mm<sup>2</sup>
- . Large contact area between pin and cell
- . High mechanical strength
- . Interconnection of socket outlets without resistive discontinuity

#### **STANDARD 19 " AND ERGONOMICS**

- . Strip designed according to standard 19 "
- . 44 mm pitch in accordance with 1 U, IEC 297-3 (NF C 20-152)
- . Body in black or natural anodized aluminium
- . Very small footprint
- . Socket outlet orientation at 45 ° (UTE, Schuko)

#### **SAFETY FACTOR**

- . Conformity of products to the standard of the country for which they are intended.  
Use of high quality plastic material: fireproof, without release of halogenated gases,  
insensitive to ultraviolet rays.  
Temperature resistance of 850 ° C

#### **PERFECT ADAPTATION TO NEEDS**

- . Modular system for optimal adaptation of configurations
- . Mixing of strong currents and weak currents with associated protections
- . Large number of mounting brackets and accessories



# PDU without protection

## PDU 16A

**CONCEPT :**

PDU allows a secure power supply for IT equipment



19"

Reference	Description	Dimensions (mm)
P620918	<ul style="list-style-type: none"> <li>- PULTI RACK profile in black anodized aluminium for 19 " mounting, width 1U, 44mm</li> <li>- 1 black cord HO5 VVF 3G2.5 mm<sup>2</sup> of 2m, with black 16A 250V IEC 320 C20 plug</li> <li>- 1 black end cap equipped with a rubber-grommet</li> <li>- 12 connectors IEC 320-C13, 2 P + E 10A 250V on black cover</li> <li>- 1 smooth black end cap</li> <li>- 1 set of multi-directional mounting brackets</li> </ul>	L 440 x l 44 x h 44

## PDU 16A

**CONCEPT :**

PDU allows a secure power supply for IT equipment



19"

Reference	Description	Dimensions (mm)
P620919	<ul style="list-style-type: none"> <li>- PULTI RACK profile in black anodized aluminium for 19 " mounting, width 1U, 44mm</li> <li>- 1 black cord HO5 VVF 3G1.5 mm<sup>2</sup> of 2m, with over-moulded black 16A 250V Franco-German plug</li> <li>- 1 black end cap equipped with a cable clamp</li> <li>- 9 IEC 320 connectors - C19 2P + E 16A 250V on black front plates</li> <li>- 1 black smooth end cap</li> <li>- 1 set of multidirectional mounting brackets</li> </ul>	L 440 x l 44 x h 44





# PDU without protection

## PDU 10A

### CONCEPT :

PDU allows a secure power supply of IT equipment and mechanical retention of connected connectors



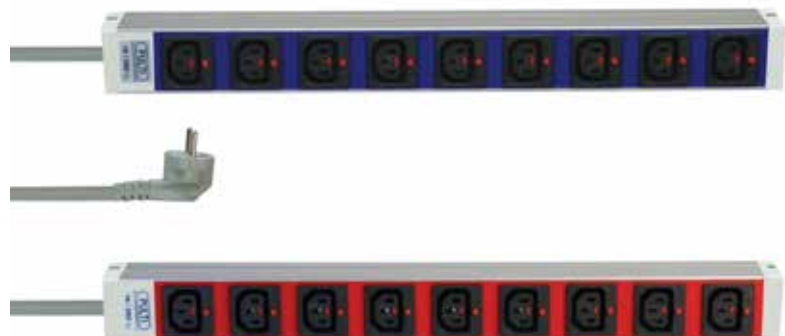
19"

Reference	Description	Dimensions mm)
P623402	<ul style="list-style-type: none"> <li>PULTI RACK profile in black anodized aluminium for 19" mounting, width 1U, 44mm</li> <li>- 1 grey cord HO5 VVF 3G1 mm<sup>2</sup> of 2m, IEC 320 C14 10A 250V plug</li> <li>- 1 black end cap equipped with a cable clamp</li> <li>- 9 connectors IEC 320-C13, 2 P + E 10A 250V with locking system on black front plates</li> <li>- 1 smooth black end cap</li> <li>- 1 set of multi-directional mounting brackets</li> </ul>	L 440 x l 44 x h 44

## PDU 16A

### CONCEPT :

PDU allows a power supply of IT equipment and mechanical retention of connected connectors. The colour is intended to identify the circuit.



19"

Reference	Description	Front plates colour	Dimension (mm)
P623389	<ul style="list-style-type: none"> <li>PULTI RACK in natural anodized aluminium for 19» mounting, width 1U, 44mm</li> <li>- 1 grey cord HO5 VVF 3G1.5mm<sup>2</sup> of 2m, with over-moulded 16A 250V Franco-German plug</li> <li>- end cap with cable clamp</li> </ul>	Blue	L 440 x l 44 x h 44
P623390	<ul style="list-style-type: none"> <li>- 9 connectors IEC 320-C13, 2P+E 10A 250V with locking system</li> <li>- smooth end cap</li> <li>- 1 set of multi-directional mounting brackets</li> </ul>	Red	L 440 x l 44 x h 44



# PDU without protection

## THREE-PHASE 16A PDU



**CONCEPT :**

PDU allows a secure power supply of IT equipment, phase identification by colour.

Reference	Description	Dimensions (mm)
P606472	PULTI CLASSIC profile in black anodized aluminium, width, 44mm - 1 HO5 VVF 5G2,5mm <sup>2</sup> cord of 2m, IEC 309 plug 3P + N + E 16A 380V - PHASE 1: 4 IEC 320-C13 connectors, 2 P + E 10A 250V on grey front plate - PHASE 2: 4 IEC 320-C13 connectors, 2 P + E 10A 250V on black front plate - PHASE 3: 4 IEC 320-C13 connectors, 2 P + E 10A 250V on red front plate - 1 set of mounting brackets for vertical mounting	L704 x l 44 x h 44

# PDU with protection

## SINGLE PHASE 32A PDU



**CONCEPT :**

PDU allows a secure power supply of IT equipment.

Reference	Description	Dimensions (mm)
P630619	PDU PULTI 32A PULTI TECHNIC profile in natural anodized aluminium for vertical fixing, width, 44mm - 1 HO7 RNF 3G6mm <sup>2</sup> cord of 3m, IEC309 32A 250V plug - 2X16A unipolar magneto-thermic circuit breakers - 24 connectors IEC320 C13 2P + E 10A 230V - 6 connectors IEC320 C19 2P + E 16A 230V - 1 set of mounting brackets for vertical mounting	L1254 x l44 x h56



# PDU with protections

## SINGLE-PHASE 32A PDU BOOST



### CONCEPT :

PDU allows a power supply of IT equipments. Colours are intended to identify the circuits.



Reference	Description	Dimensions (mm)
BAL32M002	<p>PDU BOOST 32A</p> <p>Natural coloured aluminium housing for vertical mounting</p> <ul style="list-style-type: none"> <li>- HO7 RNF 3G4mm<sup>2</sup> power cord, length 3m, IEC309 32A 250V plug</li> <li>- end cap with cable gland</li> <li>- 2 circuits, each one including : 1 magnetothermic circuit breaker 1P+N 16A with cover, 14 connectors IEC 320C13 2P+E 10A 250V, 2 connectors IEC 320 C19 2P+E 16A 250V</li> <li>- 1 set of fixation brackets for vertical mounting</li> </ul>	L 1763x l60 x h65

## THREE-PHASE 32A PDU with 3 energy meters



### CONCEPT :

PDU allows a secure power supply of the computer equipment, each phase is equipped with an energy meter allowing to control in situ the electrical data, including the cumulated energy. The energy meter measures voltage (V), current (A), active power (kW), energy (kWh), frequency (Hz) and phase shift in degrees. It is equipped with a reset button, and the display of data is done on LCD screen. When the energy meter is turned off, the energy value will remain stored.

Reference	Description	Dimensions (mm)
P630443-1 (red)	<p>PULTI TECHNIC profile in anodised aluminium</p> <ul style="list-style-type: none"> <li>- 1 black cord HO7 5G6mm<sup>2</sup> length 2m equipped with a plug IEC309 32A 380V</li> <li>- Phase 1: 2 x 16A unipolar magneto-thermic circuit breakers with protective cover + 1 energy meter + 7 French 16A 230V sockets</li> </ul>	L1738 x l44 x h56
P630444-1 (blue)	<ul style="list-style-type: none"> <li>- Phase 2: 2 x 16A unipolar magneto-thermic circuit breakers with protective cover + 1 energy meter + 7 French 16A 230V sockets</li> <li>- Phase 3: 2 x 16A unipolar magneto-thermic circuit breakers with protective cover + 1 energy meter + 7 French 16A 230V sockets</li> <li>- 1 set of mounting brackets for vertical mounting</li> </ul>	



# PDU with protections

## THREE-PHASE 32A PDU BOOST



### CONCEPT :

PDU allows a power supply of IT equipments. Colours are intended to identify the phases.



Reference	Description	Dimensions (mm)
BAL32T004	PDU BOOST 32A Natural coloured anodised aluminium housing for vertical mounting - HO7 RNF 5G4mm <sup>2</sup> power cable, length 3m, IEC309 32A 380V plug - End cap with cable gland - Each phase including : 1 magnetothermic circuit breaker 1P+N with cover, 5 connectors IEC320 C13 2P+E 10A 250V, 4 connectors IEC320 C19 2P+E 16A 250V - Phase 1 : blue / Phase 2 : red / Phase 3 : black - 1 set of fixation brackets for vertical mounting	L 1695x l 60x h 65



## THREE-PHASE 32A PDU BOOST



BAL32A000 (red)



BAL32A001 (blue)

### CONCEPT :

PDU allows a power supply of IT equipment and mechanical retention of connected connectors. The colour is intended to identify the circuit.

Reference	Description	Colour	Dimension (mm)
BAL32T000	PDU BOOST 32A Natural anodized aluminium profile for vertical mounting. - HO7 RNF 5G6 2m Cable, IEC309 32A 380V Plug - End cap with cable gland - per phase: 2 x 16A unipolar magneto-thermic circuit breakers with cover, 3 connectors IEC320 C19 2P + E 16A 230V with locking system,	Red	L 1888x l60 x h65
BAL32T001	8 connectors IEC320 C13 2P + E 10A 230V with locking system - 1 set of mounting brackets for vertical mounting	Blue	L 1888x l60 x h65



# PDU auto switch charge transfer function

## AUTO TRANSFER SWITCH 16A



### CONCEPT :

- Automatic switching of the power supply from the standard mains to the emergency power supply during a power failure
- The return to the original feed is done automatically during the recovery of the sector
- The equipment connected to the output is permanently supplied by one or the other of the sources of electrical power

19"

Reference	Description	Dimensions (mm)
P620925	Pulti RACK profile in black anodized aluminium for 19" (1U) mounting -1 black cord (standard power supply) and 1 grey cord (uninterruptible power supply) of 3m, 3G1,5mm2, with over-moulded French-German plug 16A 250V -1 green voltage indicator light for standard power supply -1 amber voltage indicator light for the emergency power supply -1 automatic switch 16A, call time 15ms -2 French 16A 250V sockets with cell shutters -1 set of multidirectional mounting brackets	L 440 x l 44 x h 44











**ENSTO FRANCE SAS**  
RD.916 F-66170 Néfiach, France  
info.france@ensto.com

[ensto.fr](http://ensto.fr)